

CONTENT



02_TOP SEAL OPTIONS



03_FASCIA PANEL



04_ALU LINTEL PROFILE



05_FULL ALU FRAME



06_PVC LINTEL PROFILE

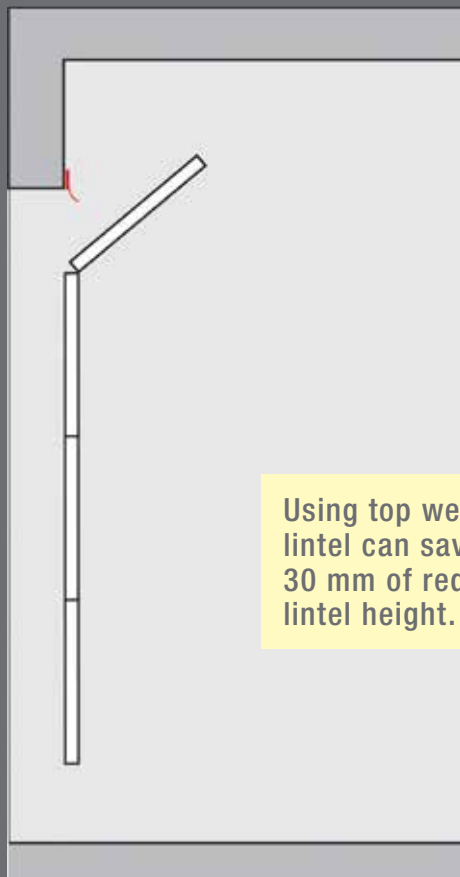
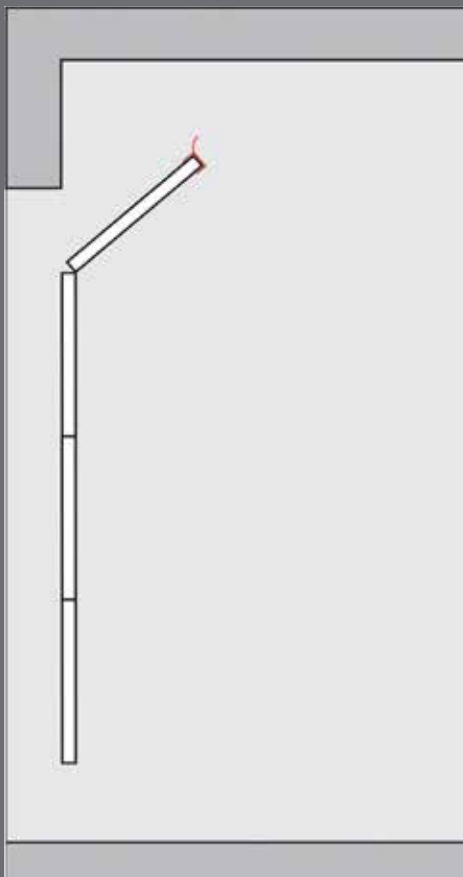
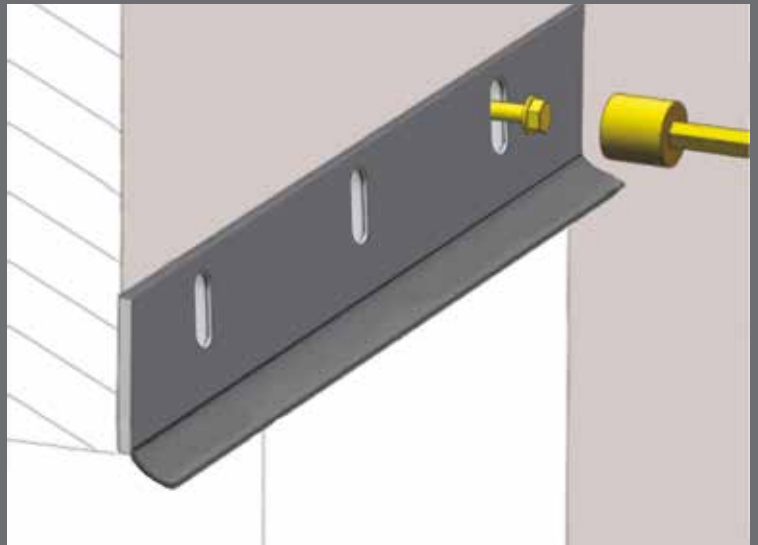
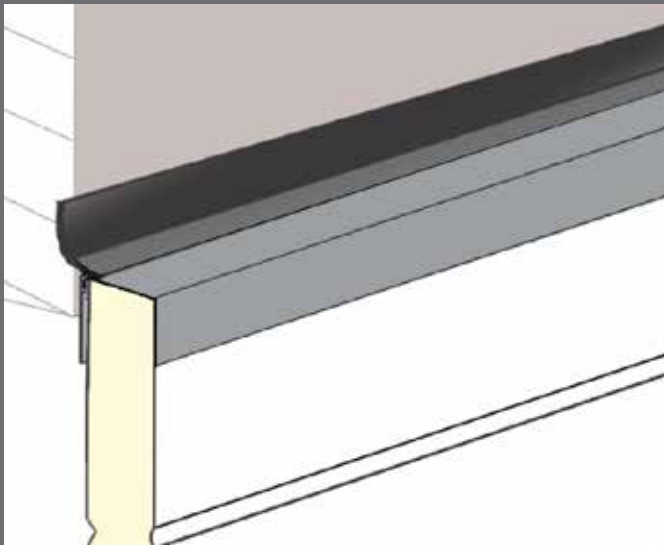
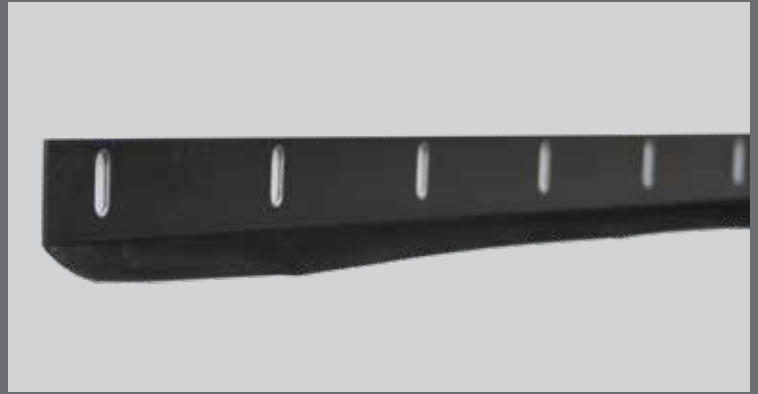


07_ALUMINUM EXTENSION PROFILE

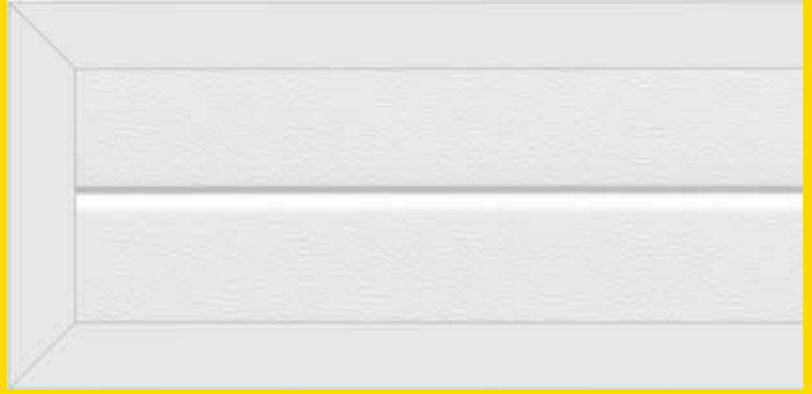
Top Seal on the top panel



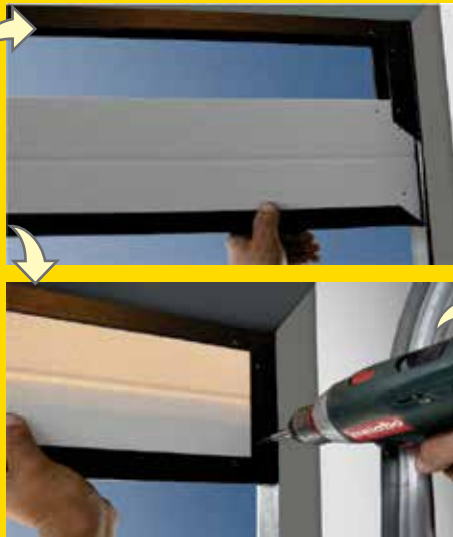
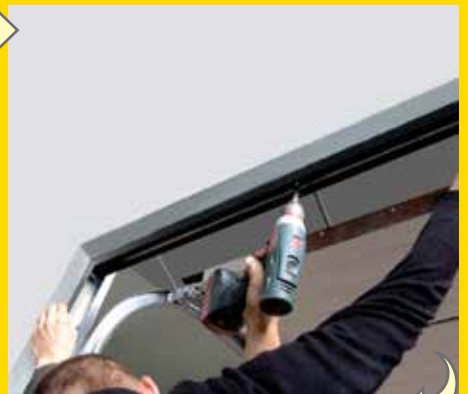
Top Seal on the lintel



Using top weatherseal on lintel can save you up to 30 mm of required min lintel height.

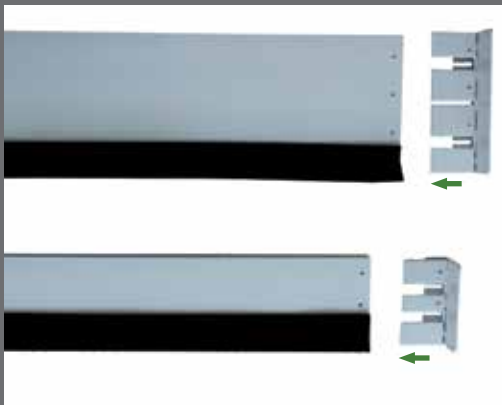


Made of the same panels as garage door and framed with matching colour U-shape aluminium profiles.

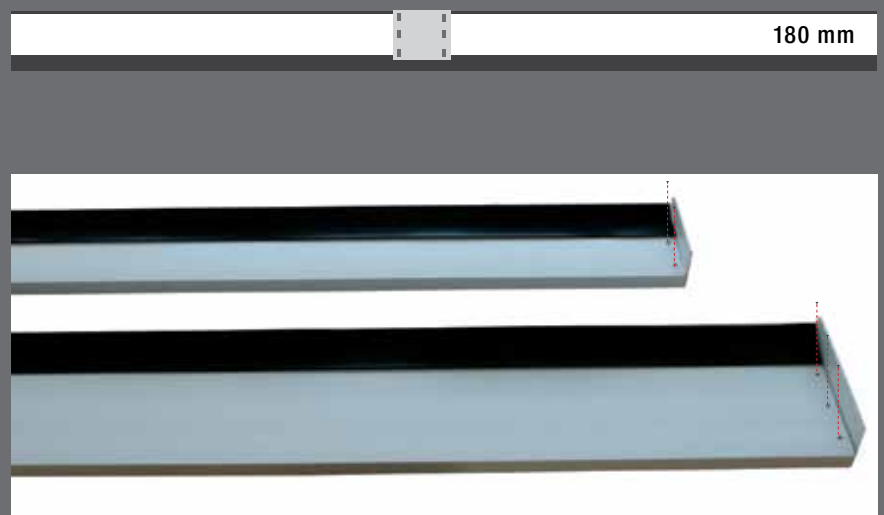




ALU Lintel profile mounting brackets

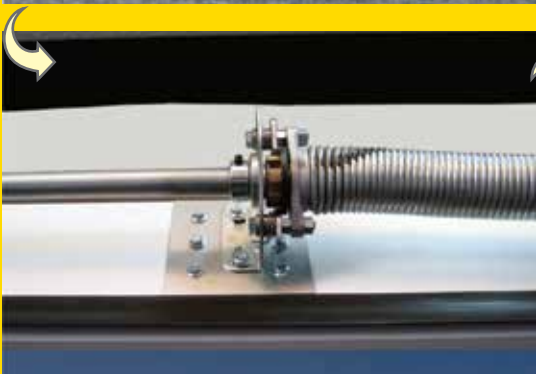
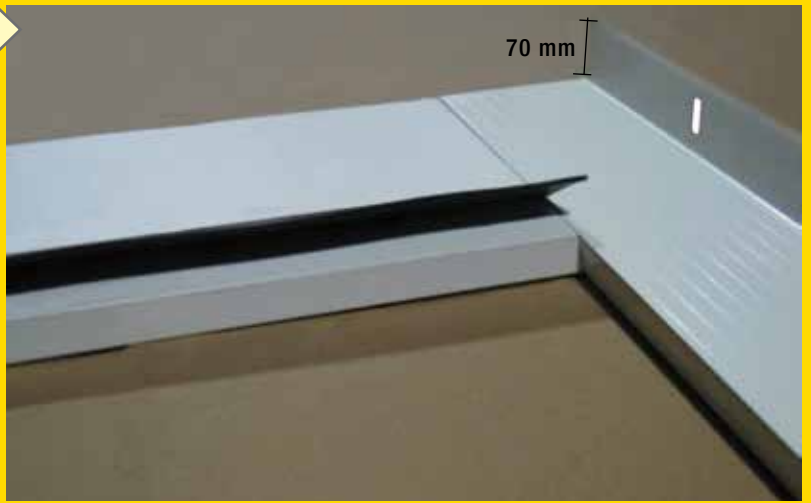
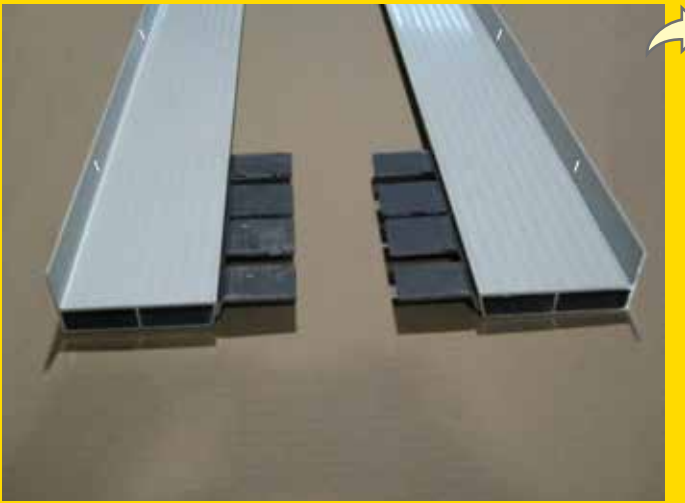


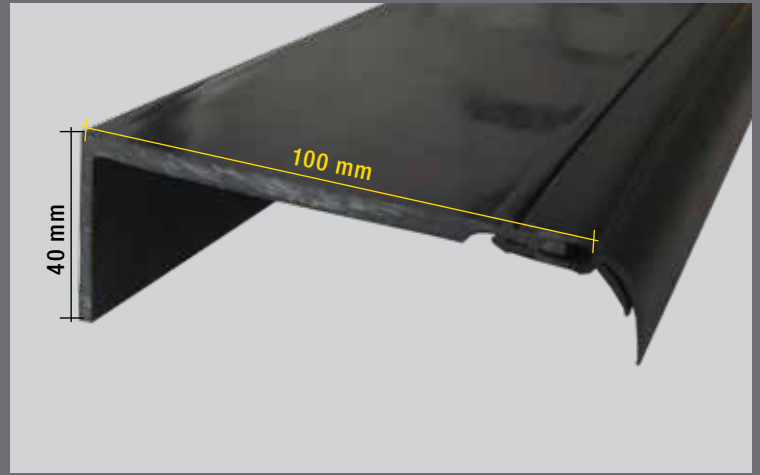
Reinforcement plate for springs included





Lintel + 2 post profiles
Lintel h=120 mm (R40 & TL LHR-RM)
Lintel h=180 mm (TL LHR-FM)
Posts w=100 mm
Max opening size up to 6000 x 2500 mm





Optional - with door colour tin-plate

